

Les capotages insonorisant FG WILSON sont le fruit de plusieurs années de recherche et d'essais de nos ingénieurs acousticiens. Pour cette gamme, deux niveaux d'insonorisation sont disponibles, standard (SA) ou Super Insonorisé (SSA). Nos produits sont en totale conformité avec la norme européenne référencée sous la directive 2000/14/EC applicable depuis le 1<sup>er</sup> janvier 2002.

Les capotages sont conçus pour résister aux conditions de manutention et d'utilisation extrêmement sévères des chantiers et intègrent les silencieux d'échappement. Leur construction modulaire facilite les interventions de maintenance et de réparation sur site.

#### Haute résistance à la corrosion

- ▶ Charnières et serrures en acier inoxydable
- ▶ Boulonnerie galvanisée ou inoxydable
- ▶ Tôlerie pré-traitée par phosphatage au zinc avant peinture par poudre polyester cuite au four

#### Excellente accessibilité

- ▶ Une porte papillon intégrale de chaque côté du capotage
- ▶ Trappe de remplissage radiateur
- ▶ Vidanges huile et eau ramenées à l'extérieur du capotage

#### Sécurité et confort d'utilisation

- ▶ Porte verrouillable avec oculus pour lecture des instruments
- ▶ Bouton poussoir d'arrêt d'urgence monté à l'extérieur du capotage
- ▶ Grilles de protection sur les parties tournantes et chaudes
- ▶ Accès au remplissage fioul et à la batterie par les portes latérales verrouillables
- ▶ Silencieux d'échappement intégré au capotage

#### Manutention

- ▶ Anneau de levage testé et agréé
- ▶ Points de manutention sur le châssis

#### Équipement optionnel

- ▶ Châssis skid type Pétrolier avec passage de fourches



## Série 27 - 165 kVA



## Capotage Insonorisant



## Capotage insonorisant (SA)



### Niveau de pression acoustique (dBA)

Modèle	LWA	50 Hz						60 Hz					
		15 m (50 ft)		7 m (23 ft)		1 m (3 ft)		15 m (50 ft)		7 m (23 ft)		1 m (3 ft)	
		75% Charge	100% Charge	75% Charge	100% Charge	75% Charge	100% Charge	75% Charge	100% Charge	75% Charge	100% Charge	75% Charge	100% Charge
P27	94	62.5	63.0	68.0	68.0	79.0	79.0	64.5	65.0	70.0	70.0	81.0	81.0
P30E	94	62.5	63.0	68.0	68.0	79.0	79.0	64.5	65.0	70.0	70.0	81.0	81.0
P40P1	98	64.0	64.0	70.0	70.0	81.0	81.5	67.0	68.0	73.0	74.0	84.0	85.0
P44E1	98	64.0	64.5	70.0	70.5	81.5	82.0	68.0	68.0	74.0	74.0	85.0	85.0
P45P1	98	64.0	64.5	70.0	70.5	81.5	82.0	68.0	68.5	74.0	74.0	85.0	85.0
P50E1	98	64.0	64.5	70.0	70.5	81.5	82.0	68.0	68.5	74.0	75.0	85.0	85.0
P60P1	96	62.5	63.0	68.5	69.0	78.5	79.5	65.0	65.0	71.0	71.5	82.0	82.0
P65E1	96	62.5	63.0	68.5	69.0	78.5	79.5	65.0	65.0	71.0	71.0	82.0	82.0
P75P1	96	63.0	64.0	69.0	70.0	79.5	80.0	65.0	66.0	71.0	72.0	82.0	83.0
P83E1	96	63.0	64.0	69.0	70.0	79.5	80.5	65.0	67.0	71.0	73.0	82.0	83.0
P90	98	63.5	65.0	70.0	71.0	80.0	82.0	65.5	67.0	72.0	73.0	82.0	84.0
P100E	98	63.5	65.0	70.0	71.0	80.0	82.0	65.5	67.0	72.0	73.0	82.0	84.0
P100	98	63.5	65.0	70.0	71.0	80.0	82.0	65.5	67.0	72.0	73.0	82.0	84.0
P110E	98	63.5	65.0	70.0	71.0	80.0	82.0	65.5	67.0	72.0	73.0	82.0	84.0
P135	97	62.3	63.2	68.3	69.2	80.2	80.4	66.6	67.3	72.6	73.3	84.1	84.8
P150E	97	62.3	63.2	68.3	69.2	80.2	80.4	66.6	67.3	72.6	73.3	84.1	84.8
P150P1	tba	tba	tba	tba	tba	tba	tba	na	na	na	na	na	na
P165E1	tba	tba	tba	tba	tba	tba	tba	na	na	na	na	na	na
P18SP1	94	62.5	63.0	68.0	68.0	79.0	79.0	64.5	65.0	70.0	70.0	81.0	81.0
P20ESP1	94	62.5	63.0	68.0	68.0	79.0	79.0	64.5	65.0	70.0	70.0	81.0	81.0
P21SP1	94	62.5	63.0	68.0	68.0	79.0	79.0	64.5	65.0	70.0	70.0	81.0	81.0
P23ESP1	94	62.5	63.0	68.0	68.0	79.0	79.0	64.5	65.0	70.0	70.0	81.0	81.0
P27P1S	98	64.0	64.5	70.0	70.5	81.5	82.0	68.0	68.0	74.0	74.0	85.0	85.0
P30E1S	98	64.0	64.5	70.0	70.5	81.5	82.0	68.0	68.0	74.0	74.0	85.0	85.0
P32P1S	98	64.0	64.0	70.0	70.0	81.0	81.5	67.0	68.0	73.0	74.0	84.0	85.0
P35E1S	98	64.0	64.0	70.0	70.0	81.0	81.5	67.0	68.0	73.0	74.0	84.0	85.0
P36P1S	98	64.0	64.5	70.0	70.5	81.5	82.0	68.0	68.5	74.0	74.0	85.0	85.0
P40E1S	98	64.0	64.5	70.0	70.5	81.5	82.0	68.0	68.5	74.0	75.0	85.0	85.0
P45P1S	96	62.5	63.0	68.5	69.0	78.5	79.5	65.0	65.0	71.0	71.5	82.0	82.0
P50E1S	96	62.5	63.0	68.5	69.0	78.5	79.5	65.0	65.0	71.0	71.0	82.0	82.0
P56P1S	96	62.5	63.0	68.5	69.0	78.5	79.5	65.0	65.0	71.0	71.0	82.0	82.0
P62E1S	96	62.5	63.0	68.5	69.0	78.5	79.5	65.0	65.0	71.0	71.0	82.0	82.0
P72SP1	98	63.5	65.0	70.0	71.0	80.0	82.0	65.5	67.0	72.0	73.0	82.0	84.0
P80ESP1	98	63.5	65.0	70.0	71.0	80.0	82.0	65.5	67.0	72.0	73.0	82.0	84.0
P80SP1	98	63.5	65.0	70.0	71.0	80.0	82.0	65.5	67.0	72.0	73.0	82.0	84.0
P88ESP1	tba	tba	tba	tba	tba	tba	tba	tba	tba	tba	tba	tba	tba
P96SP1	tba	tba	tba	tba	tba	tba	tba	tba	tba	tba	tba	tba	tba
P105ESP1	tba	tba	tba	tba	tba	tba	tba	tba	tba	tba	tba	tba	tba

Niveaux sonores conformes à la directive européenne 2000/14/EC

## Capotage Super-Insonorisant (SSA)



### Niveau de pression acoustique (dBA)

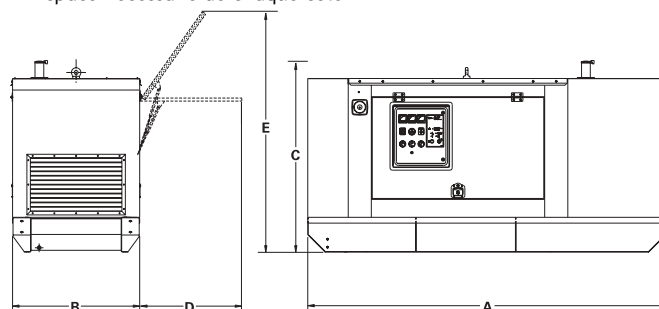
Modèle	LWA	50 Hz						60 Hz					
		15 m (50 ft)		7 m (23 ft)		1 m (3 ft)		15 m (50 ft)		7 m (23 ft)		1 m (3 ft)	
		75% Charge	100% Charge	75% Charge	100% Charge	75% Charge	100% Charge	75% Charge	100% Charge	75% Charge	100% Charge	75% Charge	100% Charge
P27	90	55.5	56.0	62.0	62.0	72.0	72.0	57.5	58.0	64.0	64.0	74.0	74.0
P30E	90	55.5	56.0	62.0	62.0	72.0	72.0	57.5	58.0	64.0	64.0	74.0	74.0
P40P1	92	61.0	61.0	67.0	67.0	75.0	75.0	63.0	63.0	69.0	69.0	78.0	78.0
P44E1	92	61.0	61.0	67.0	67.0	75.0	75.0	63.0	63.5	69.0	69.5	78.0	78.0
P45P1	92	61.0	61.0	66.5	67.0	75.0	75.0	63.0	63.5	69.0	70.0	78.0	78.5
P50E1	92	61.0	61.0	67.0	67.0	75.0	76.0	63.0	64.0	69.0	70.0	78.0	78.5
P60P1	92	58.5	59.0	64.5	65.0	73.0	73.5	60.0	61.0	66.0	67.0	75.0	76.0
P65E1	92	59.0	59.0	65.0	65.0	73.5	73.5	60.0	61.0	66.0	67.0	75.0	76.0
P75P1	92	59.0	60.0	65.0	65.0	73.5	73.5	61.0	62.0	67.0	68.0	76.0	77.0
P83E1	92	59.0	61.0	65.0	67.0	73.5	76.0	61.0	61.0	67.0	68.0	76.0	77.0
P90	95	59.5	62.0	66.0	68.0	75.0	77.0	61.5	64.0	68.0	70.0	77.0	79.0
P100E	95	59.5	62.0	66.0	68.0	75.0	77.0	61.5	64.0	68.0	70.0	77.0	79.0
P100	95	59.5	62.0	66.0	68.0	75.0	77.0	61.5	64.0	68.0	70.0	77.0	79.0
P110E	95	59.5	62.0	66.0	68.0	75.0	77.0	61.5	64.0	68.0	70.0	77.0	79.0
P18SP1	90	55.5	56.0	62.0	62.0	72.0	72.0	57.5	58.0	64.0	64.0	74.0	74.0
P20ESP1	90	55.5	56.0	62.0	62.0	72.0	72.0	57.5	58.0	64.0	64.0	74.0	74.0
P21SP1	90	55.0	56.0	62.0	62.0	72.0	72.0	57.5	58.0	64.0	64.0	74.0	74.0
P23ESP1	90	55.0	56.0	62.0	62.0	72.0	72.0	57.5	58.0	64.0	64.0	74.0	74.0
P27P1S	92	61.0	61.0	66.5	67.0	75.0	75.0	63.0	63.5	69.0	70.0	78.0	78.5
P30E1S	92	61.0	61.0	66.5	67.0	75.0	75.0	63.0	63.5	69.0	70.0	78.0	78.5
P32P1S	92	61.0	61.0	67.0	67.0	75.0	75.0	63.0	63.0	69.0	69.0	78.0	78.0
P35E1S	92	61.0	61.0	67.0	67.0	75.0	75.0	63.0	63.0	69.0	69.0	78.0	78.0
P36P1S	92	61.0	61.0	67.0	67.0	75.0	75.0	63.0	63.5	66.0	69.5	78.0	78.0
P40E1S	92	61.0	61.0	67.0	67.0	75.0	75.0	63.0	63.5	66.0	69.5	78.0	78.0
P45P1S	92	58.5	59.0	64.5	65.0	73.0	73.5	61.0	61.0	66.0	67.0	75.0	76.0
P50E1S	92	58.5	59.0	64.5	65.0	73.0	73.5	61.0	61.0	66.0	67.0	75.0	76.0
P56P1S	92	59.0	59.0	65.0	65.0	73.5	73.5	61.0	61.0	68.0	67.0	75.0	76.0
P62E1S	92	59.0	59.0	65.0	65.0	73.5	73.5	61.0	61.0	68.0	67.0	75.0	76.0
P72SP1	95	59.5	62.0	66.0	68.0	75.0	77.0	61.5	64.0	68.0	70.0	77.0	79.0
P80ESP1	95	59.5	62.0	66.0	68.0	75.0	77.0	61.5	64.0	68.0	70.0	77.0	79.0
P80SP1	95	59.5	62.0	66.0	68.0	75.0	77.0	61.5	64.0	68.0	70.0	77.0	79.0
P88ESP1	tba	tba	tba	tba	tba	tba	tba	tba	tba	tba	tba	tba	tba

Niveaux sonores conformes à la directive européenne 2000/14/EC

## Dimensions et poids - Capotage insonorisant

Modèle	A: mm (in)	B: mm (in)	C: mm (in)	*D: mm (in)	E: mm (in)	Poids: kgs (lb)	Capacité réservoir L (US Gal)
P27/P30E	2090 (82.3)	950 (37.4)	1558 (61.3)	885 (34.8)	2010 (79.1)	987 (2176)	200 (53)
P40P1/P44E1	2250 (88.6)	1100 (43.3)	1650 (65)	885 (34.8)	2080 (81.9)	1272 (2804)	250 (66)
P45P1/P50E1	2250 (88.6)	1100 (43.3)	1650 (65)	885 (34.8)	2080 (81.9)	1272 (2804)	250 (66)
P60P1/P65E1	2250 (88.6)	1100 (43.3)	1650 (65)	885 (34.8)	2080 (81.9)	1292 (2848)	250 (66)
P75P1/P83E1	2250 (88.6)	1100 (43.3)	1650 (65)	885 (34.8)	2080 (81.9)	1382 (3047)	250 (66)
P90/P100E	2805 (110)	1100 (43.3)	1610 (63.4)	885 (34.8)	2230 (87.8)	1694 (3735)	300 (79)
P100/P110E	2805 (110)	1104 (43.5)	1610 (63.4)	885 (34.8)	2030 (79.9)	1714 (3779)	300 (79)
P135/P150E	3425 (135)	1100 (43.3)	1590 (62.6)	885 (34.8)	2084 (82.0)	1970 (4343)	375 (99)
P150P1/P165E1	3425 (135)	1100 (43.3)	1790 (70.5)	885 (34.8)	2084 (82.0)	2255 (4972)	375 (99)
P18SP1/P20ESP1	2090 (82.3)	950 (37.4)	1558 (61.3)	885 (34.8)	2010 (79.1)	997 (2198)	200 (53)
P21SP1/P23ESP1	2090 (82.3)	950 (37.4)	1558 (61.3)	885 (34.8)	2010 (79.1)	1052 (2319)	200 (53)
P27P1S/P30E1S	2250 (88.6)	1100 (43.3)	1650 (65)	885 (34.8)	2080 (81.9)	1272 (2804)	250 (66)
P32P1S/P35E1S	2250 (88.6)	1100 (43.3)	1650 (65)	885 (34.8)	2080 (81.9)	1292 (2848)	250 (66)
P36P1S/P40E1S	2250 (88.6)	1100 (43.3)	1650 (65)	885 (34.8)	2080 (81.9)	1382 (3047)	250 (66)
P45P1S/P50E1S	2250 (88.6)	1100 (43.3)	1650 (65)	885 (34.8)	2080 (81.9)	1382 (3047)	250 (66)
P56P1S/P62E1S	2250 (88.6)	1100 (43.3)	1650 (65)	885 (34.8)	2080 (81.9)	1457 (3212)	250 (66)
P72SP1/P80ESP1	2805 (110)	1100 (43.3)	1610 (63.4)	885 (34.8)	2030 (79.9)	1839 (4054)	300 (79)
P80SP1/P88ESP1	3900 (154)	1300 (51.2)	1971 (77.6)	1000 (39.4)	tba	2907 (6409)	550 (145)
P96SP1/P105ESP1	3900 (154)	1100 (51.2)	1996 (78.6)	950 (37.4)	tba	2907 (6409)	550 (145)

Poids avec huile sans eau ni fuel \* Espace nécessaire de chaque côté



## Dimensions et poids - Capotage super-insonorisant

Modèle	A: mm (in)	B: mm (in)	C: mm (in)	*D: mm (in)	E: mm (in)	Poids: kgs (lb)	Capacité réservoir L (US Gal)
P27/P30E	2850 (112.2)	950 (37.4)	1555 (61.2)	885 (34.8)	2010 (79.1)	1049 (2313)	200 (53)
P40P1/P44E1	3100 (122.0)	1100 (43.3)	1650 (65.0)	885 (34.8)	2080 (81.9)	1470 (3241)	250 (66)
P45P1/P50E1	3100 (122.0)	1100 (43.3)	1650 (65.0)	885 (34.8)	2080 (81.9)	1470 (3241)	250 (66)
P60P1/P65E1	3100 (122.0)	1100 (43.3)	1650 (65.0)	885 (34.8)	2080 (81.9)	1575 (3473)	250 (66)
P75P1/P83E1	3100 (122.0)	1100 (43.3)	1650 (65.0)	885 (34.8)	2080 (81.9)	1580 (3483)	250 (66)
P90/P100E	3857 (151.9)	1100 (43.3)	1610 (63.4)	885 (34.8)	2260 (89.0)	1940 (4277)	300 (79)
P100/P110E	3857 (151.9)	1100 (43.0)	1610 (63.4)	885 (34.8)	2260 (89.0)	1980 (4365)	300 (79)
P18SP1/P20ESP1	2850 (112.2)	950 (37.4)	1555 (61.2)	885 (34.8)	2010 (79.1)	1059 (2335)	200 (53)
P21SP1/P23ESP1	2850 (112.2)	950 (37.4)	1555 (61.2)	885 (34.8)	2010 (79.1)	1114 (2456)	200 (53)
P27P1S/P30E1S	3100 (122.0)	1100 (43.3)	1650 (65.0)	885 (34.8)	2080 (81.9)	1470 (3241)	250 (66)
P32P1S/P35E1S	3100 (122.0)	1100 (43.3)	1650 (65.0)	885 (34.8)	2080 (81.9)	1540 (3395)	250 (66)
P36P1S/P40E1S	3100 (122.0)	1100 (43.3)	1650 (65.0)	885 (34.8)	2080 (81.9)	1580 (3483)	250 (66)
P45P1S/P50E1S	3100 (122.0)	1100 (43.3)	1650 (65.0)	885 (34.8)	2080 (81.9)	1580 (3483)	250 (66)
P56P1S/P62E1S	3100 (122.0)	1100 (43.3)	1650 (65.0)	885 (34.8)	2080 (81.9)	1655 (3649)	250 (66)
P72SP1/P80ESP1	3857 (151.9)	1100 (43.3)	1610 (63.4)	885 (34.8)	2260 (89.0)	2085 (4597)	300 (79)
P80SP1/P88ESP1	3857 (151.9)	1100 (43.3)	1610 (63.4)	885 (34.8)	2260 (89.0)	2180 (4806)	300 (79)

Poids avec huile sans eau ni fuel \* Espace nécessaire de chaque côté



**FG Wilson (Engineering) Ltd**

Parc des Reflets - Paris nord 2 - 165 Avenue du Bois de la Pie  
BP 54237 Roissy en France, 95956 Roissy Charles de Gaulle Cedex, France

Tél: +33 (0) 148 63 20 33 Fax: +33 (0) 1 48 63 80 88

www.FGWilson.com

